

Sanitary Flow Systems

Gemak manufacture stainless steel drains and channels for use in food, dairy, beverage, chemical and pharmaceutical plants.

- Fully glass bead blasted.
- Available in AISI 304 or 316 grade stainless steel
 - Simple design for utmost hygiene
 - Easy and quick maintenance and cleaning.
- Wide range of designs and styles
- Bespoke channel designs for varying plant installations
- Bespoke Engineering drawings for flooring and

Contact:

Tel/Fax +44 (0) 161 627 0007

E-mail: sales@gemak.co.uk

Web: www.gemak.co.uk

UK Office:

71 Lees Road, Oldham,

Lancashire,

OL4 1JW United Kingdom



ROBUST



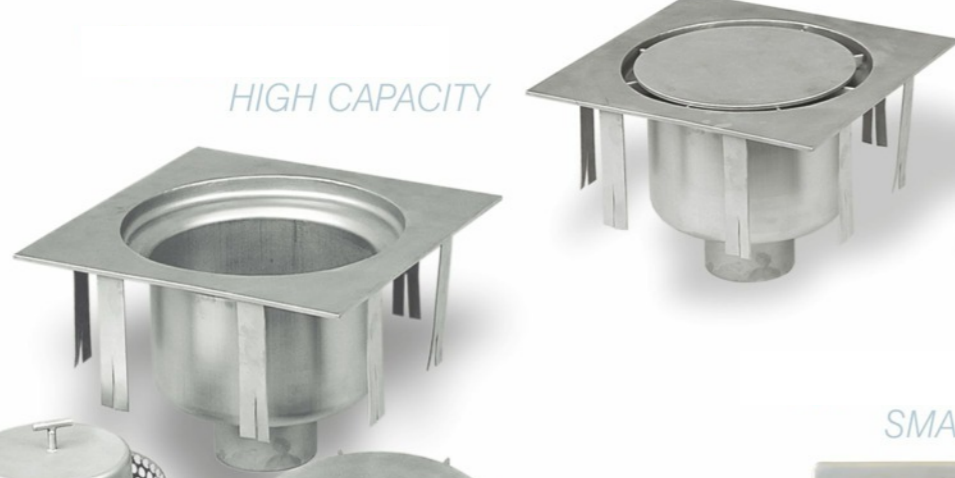
PSG 110A

LOW COST



PSG 110B, PSG 110C

HIGH CAPACITY



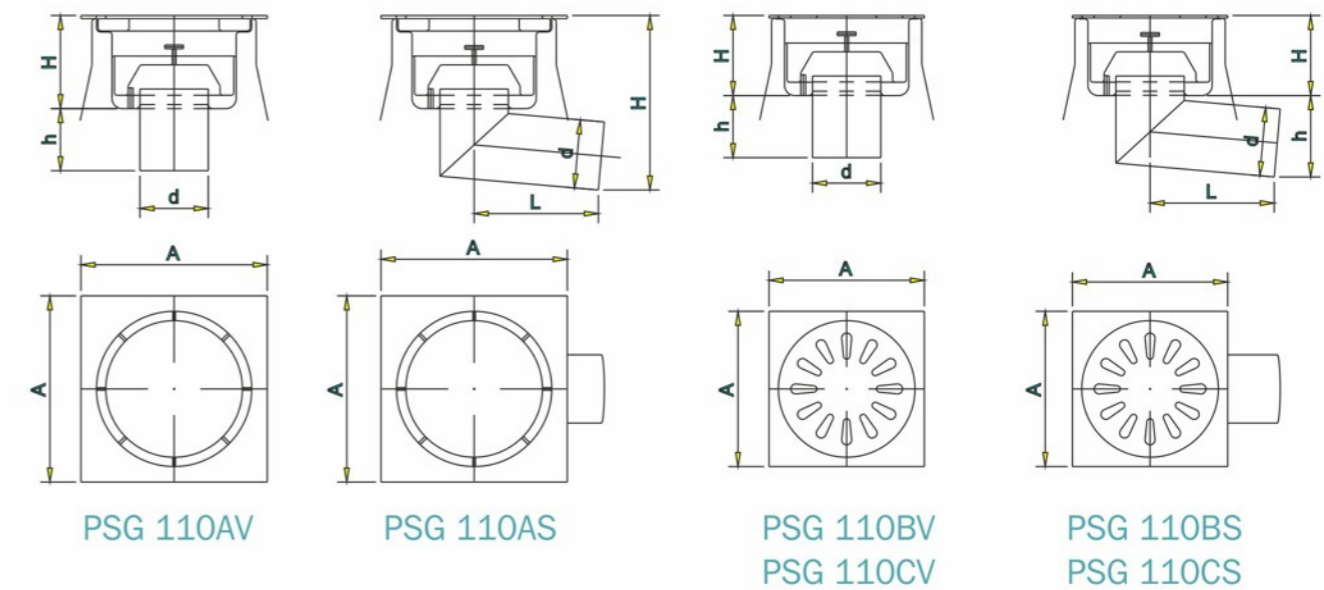
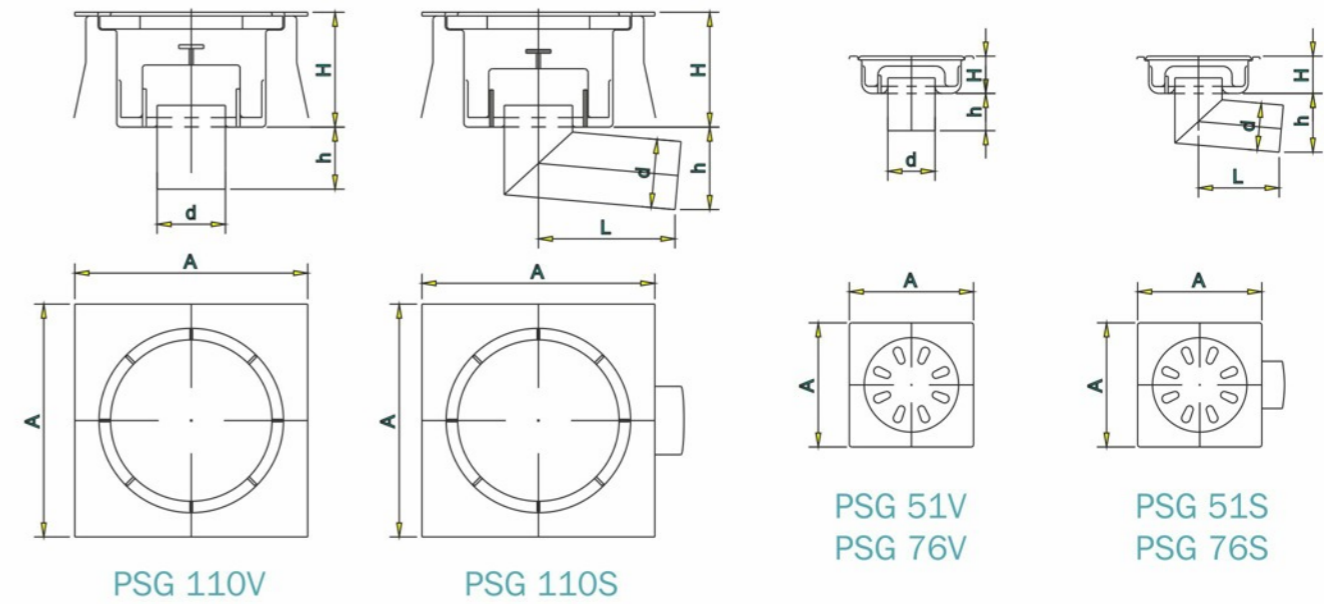
PSG 110V

SMALL BUT ROBUST



PSG 51VK, PSG 76VK

Most versatile solutions for industrial applications



| TIP - TYPE | A (mm) | d (mm) | H (mm) | h (mm) | L (mm) |
|------------|--------|--------|--------|--------|--------|
| PSG 51V | 200 | 51 | 60 | 60 | - |
| PSG 76V | 200 | 76 | 60 | 60 | - |
| PSG 110AV | 300 | 110 | 150 | 100 | - |
| PSG 110BV | 250 | 110 | 129 | 100 | - |
| PSG 110CV | 250 | 110 | 104 | 100 | - |
| PSG 110V | 375 | 110 | 185 | 100 | - |
| PSG 51S | 200 | 51 | 60 | 64 | 118 |
| PSG 76S | 200 | 76 | 60 | 95 | 130 |
| PSG 110AS | 300 | 110 | 150 | 131 | 200 |
| PSG 110BS | 250 | 110 | 129 | 131 | 200 |
| PSG 110CS | 250 | 110 | 104 | 131 | 200 |
| PSG 110S | 375 | 110 | 185 | 133 | 220 |

Where the elegance and functionality meets!



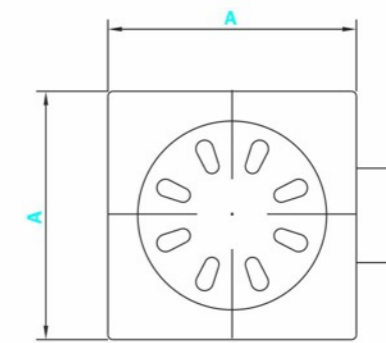
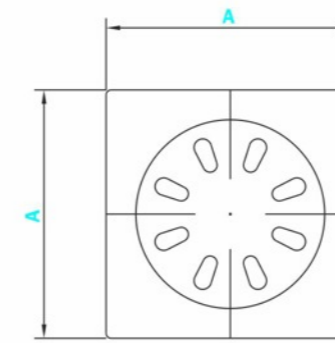
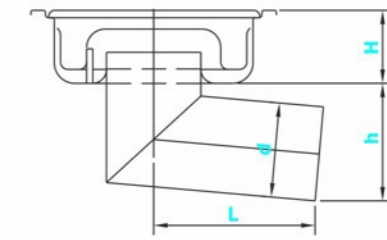
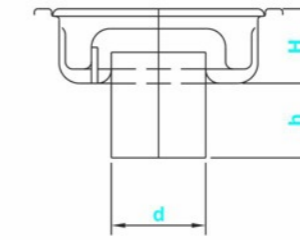
PSG TİP 10



PSG TİP 15

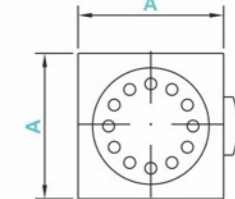
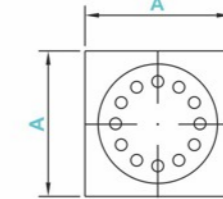
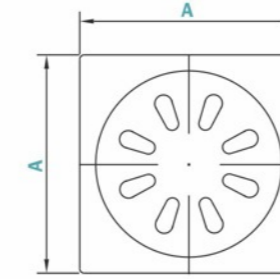
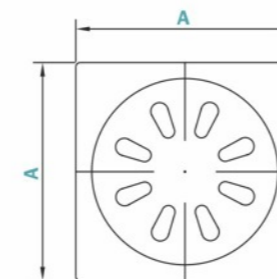
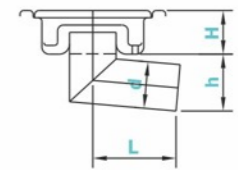
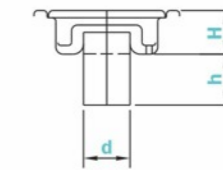
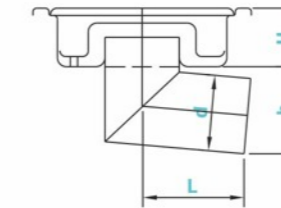
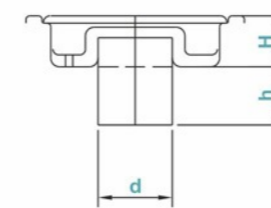


PSG TİP 20



PSG TİP 20V

PSG TİP 20S



PSG TİP 15V

PSG TİP 15S

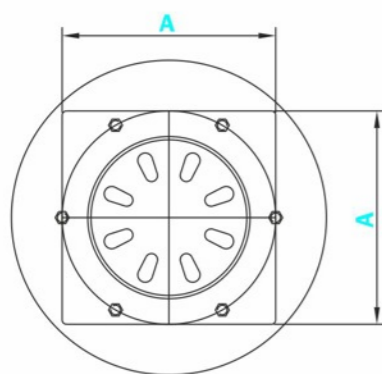
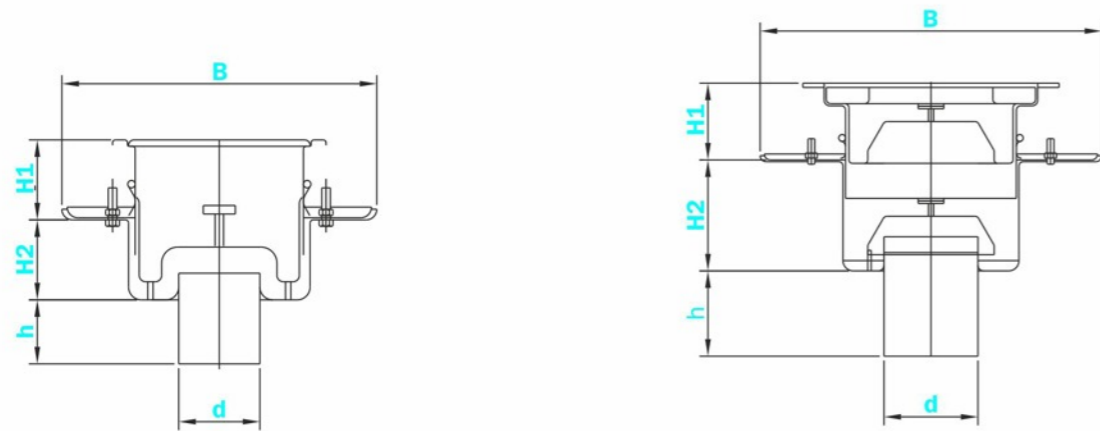
PSG TİP 10V

PSG TİP 10S

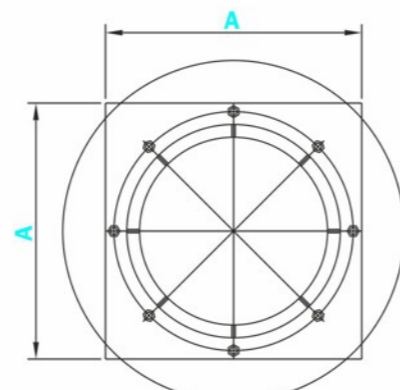
■ Hygienic and versatile solutions for homes, offices, hotels, hospitals and wherever needed.

| TİP - TYPE | A (mm) | d (mm) | H (mm) | h (mm) | L (mm) |
|-------------|--------|--------|--------|--------|---------|
| PSG TİP 10V | 100 | 32/40 | 30 | 35 | - |
| PSG TİP 15V | 150 | 51 | 40 | 40 | - |
| PSG TİP 20V | 200 | 51/76 | 60 | 60 | - |
| PSG TİP 10S | 100 | 32/40 | 30 | 39/47 | 57 |
| PSG TİP 15S | 150 | 51 | 40 | 60 | 70 |
| PSG TİP 20S | 200 | 51/76 | 60 | 64/95 | 118/130 |

Insulated Floor Gullies



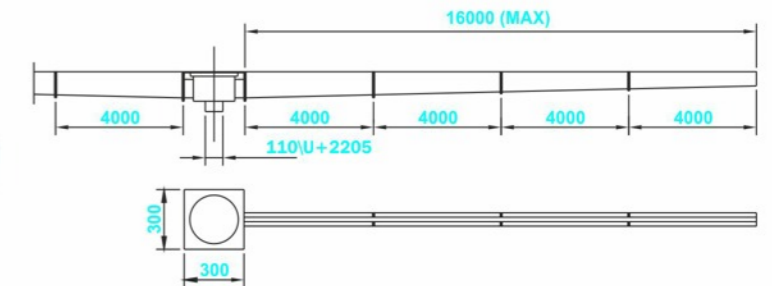
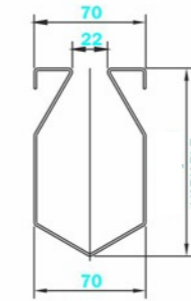
PSG-S 50
PSG-S 76 V



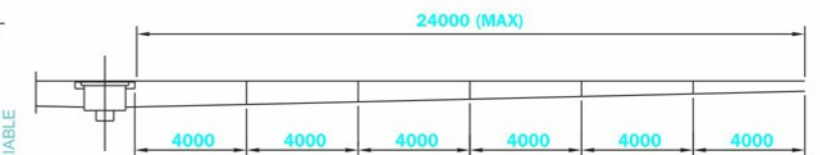
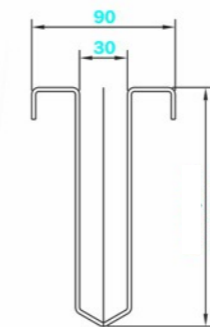
PSG-S 110V

| TIP - TYPE | A (mm) | d (mm) | B (mm) | H1 (mm) | H2 (mm) | h (mm) |
|------------|--------|--------|--------|---------|---------|--------|
| PSG-S 50V | 200 | 50 | 295 | 75+30 | 75 | 60 |
| PSG-S 76V | 200 | 76 | 295 | 75+30 | 75 | 60 |
| PSG-S 110V | 300 | 110 | 400 | 90+30 | 130 | 100 |

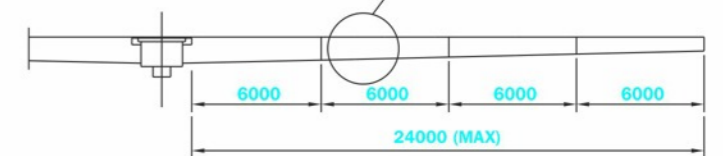
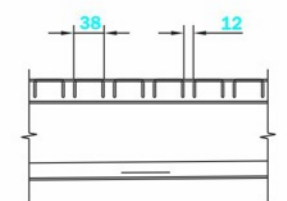
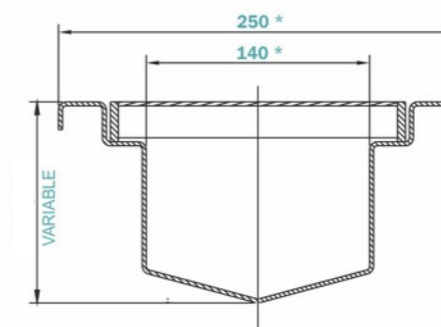
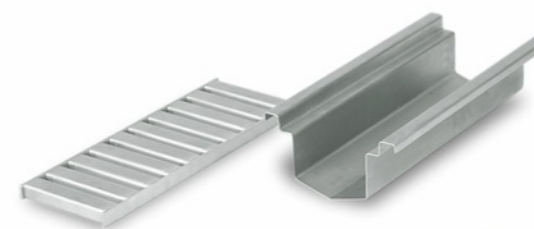
Drainage Channels



PSK 22/70 + PSG 110AVF



PSK 30/90 + PSKG 110AV



PSK 140+ PSKG 110AV

Subject to change according to the customers needs.